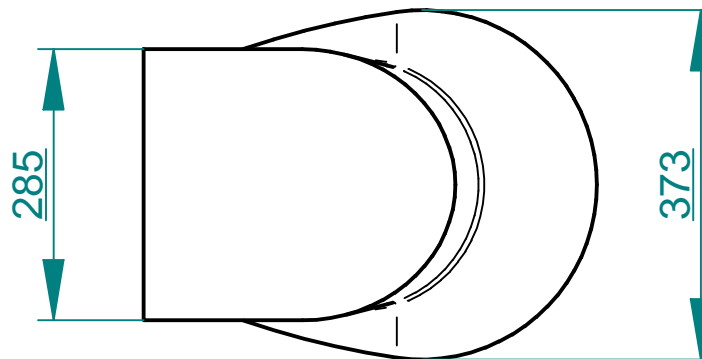
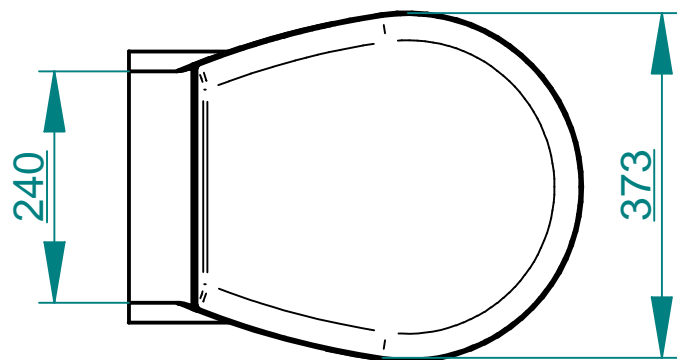
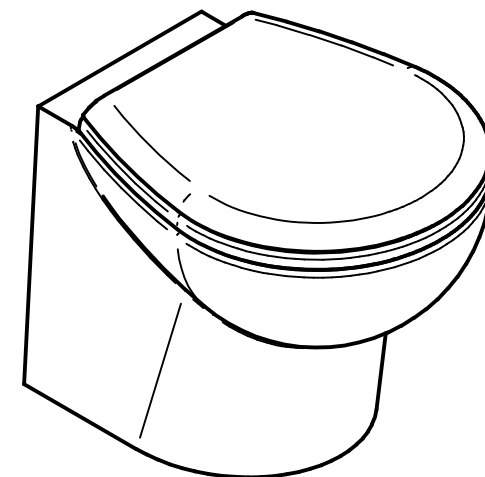
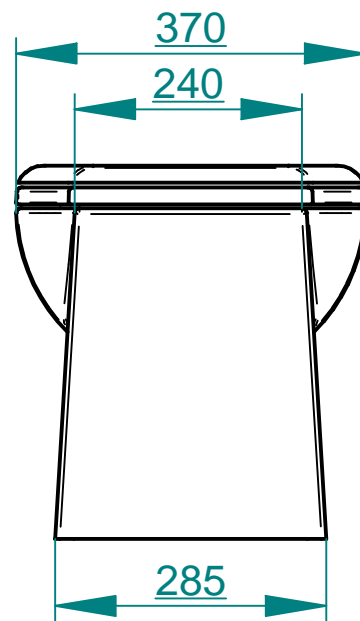
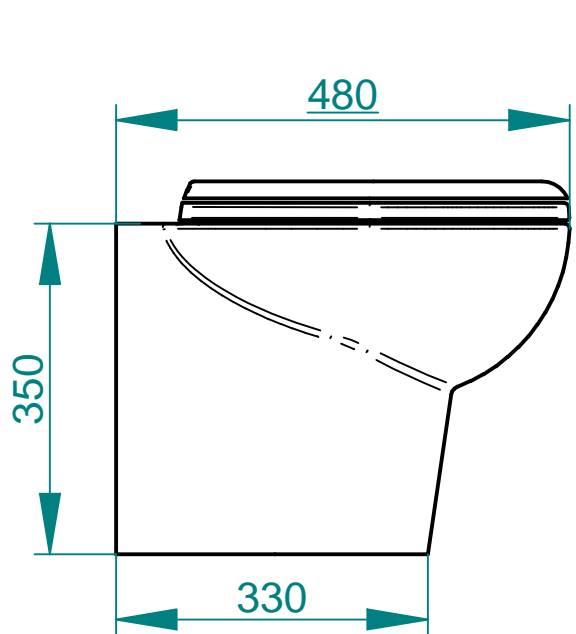


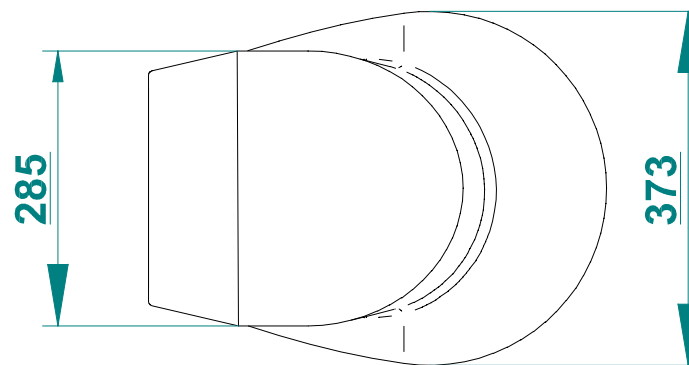
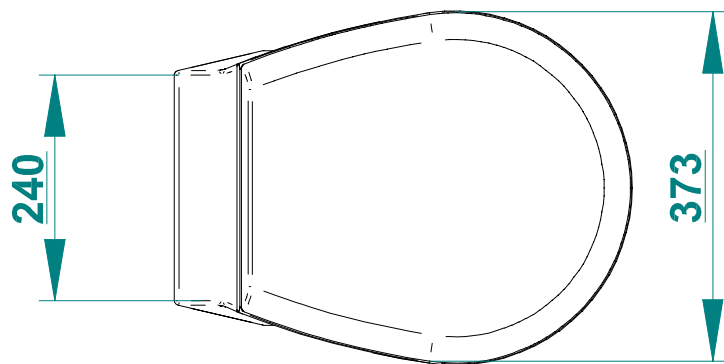
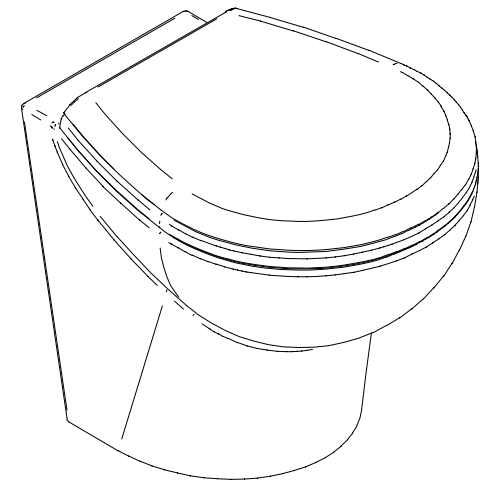
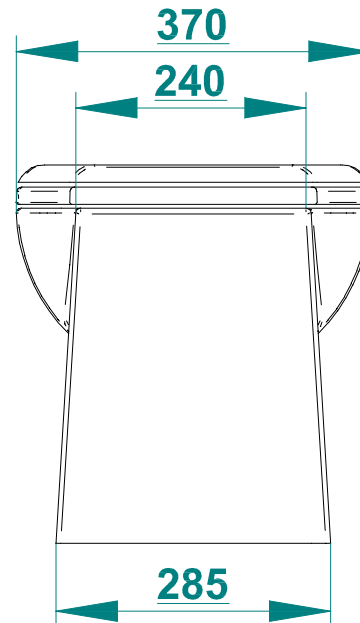
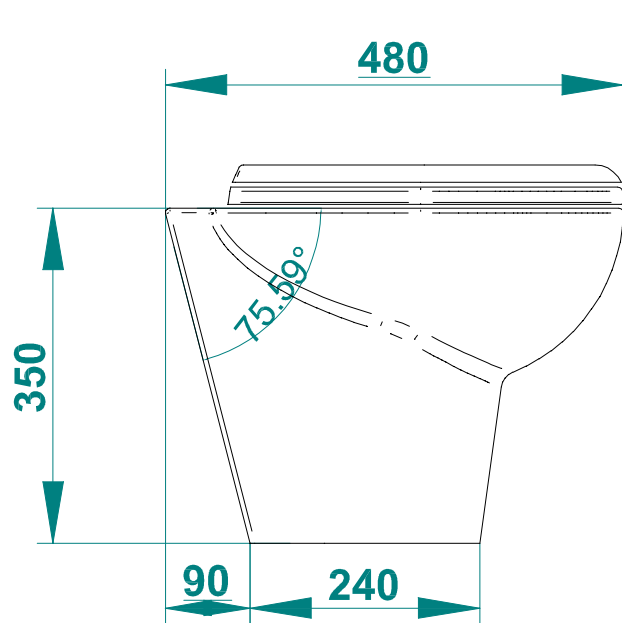
REVISION HISTORY

REV	DESCRIPTION	DATE	APPROVED



DRAWN	NAME	DATE	PLANUS
CHECKED	Presti	11/28/17	
ENG APPR			
MGR APPR			
<small>UNLESS OTHERWISE SPECIFIED DIMENSIONS ARE IN MILLIMETERS ANGLES ±X.X° 2 PL ±X.XX 3 PL ±X.XXX</small>			TITLE Match Short SIZE DWG NO A2 FILE NAME: Tavola MATCH SHORT.dft SCALE: WEIGHT: SHEET 1 OF 1

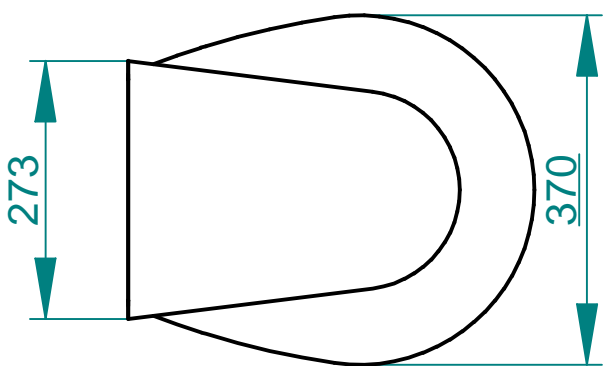
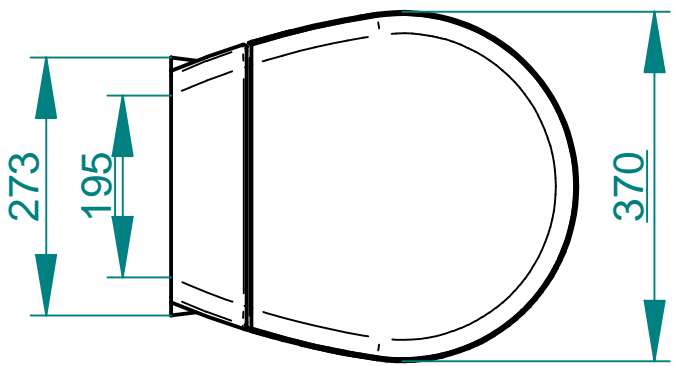
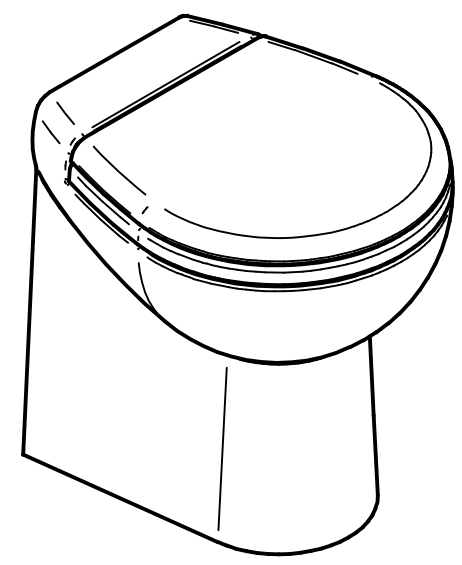
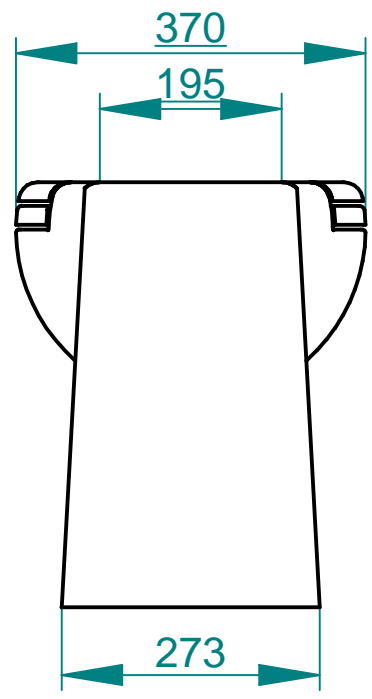
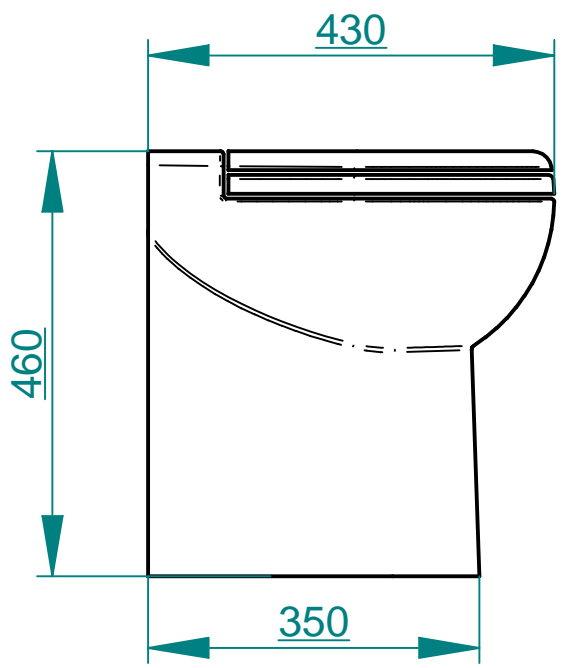
REVISION HISTORY			
REV	DESCRIPTION	DATE	APPROVED



DRAWN	NAME	DATE	PLANUS
CHECKED	Presti	11/28/17	
ENG APPR			
MGR APPR			
UNLESS OTHERWISE SPECIFIED DIMENSIONS ARE IN MILLIMETERS ANGLES IN ° 2 PL ±X.XX 3 PL ±X.XXX			TITLE
			Match Cut Short
			SIZE DWG NO
			A2
			FILE NAME: Tavola MATCH CUT SHOR
			SCALE:
			WEIGHT:
			SHEET 1 OF 1

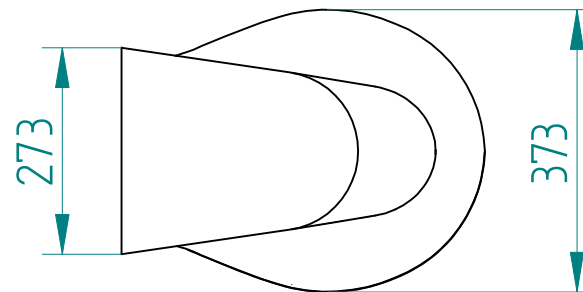
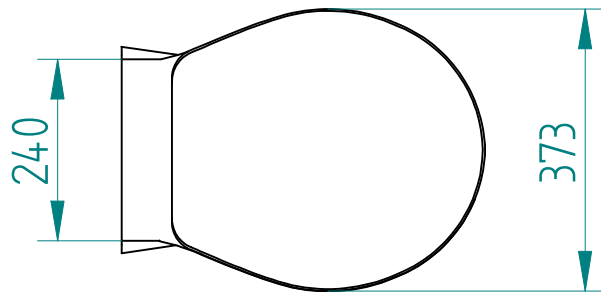
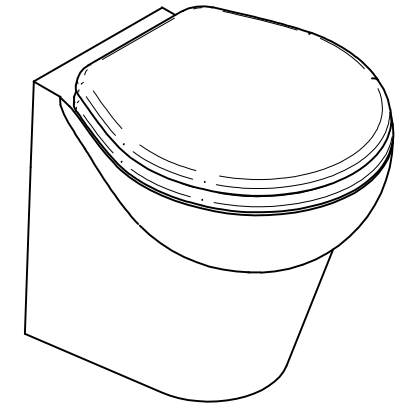
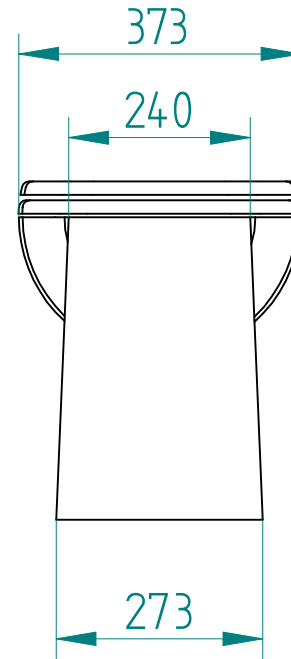
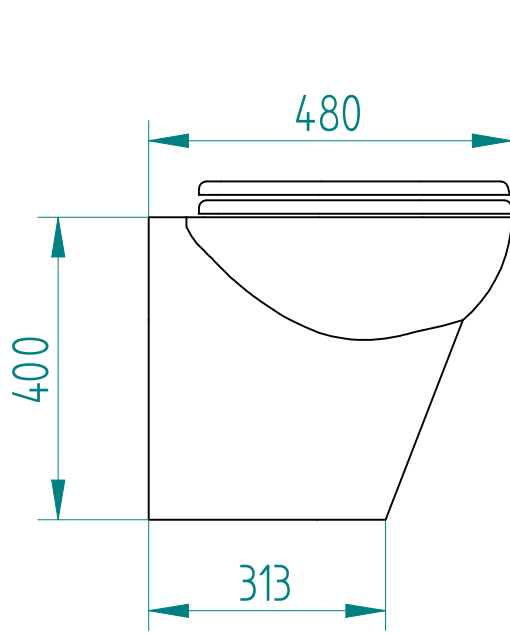
REVISION HISTORY

REV	DESCRIPTION	DATE	APPROVED



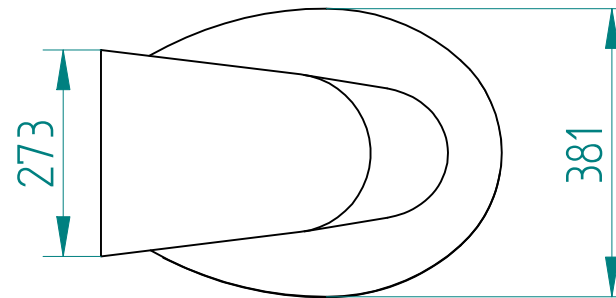
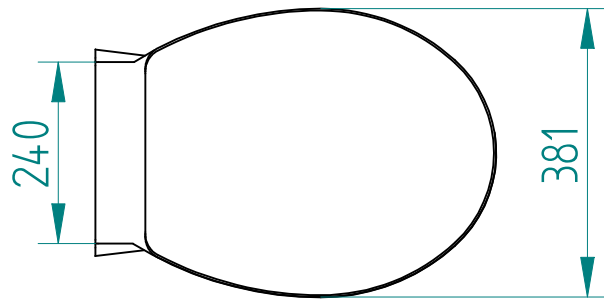
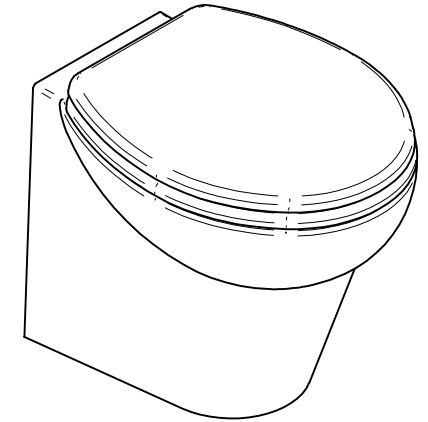
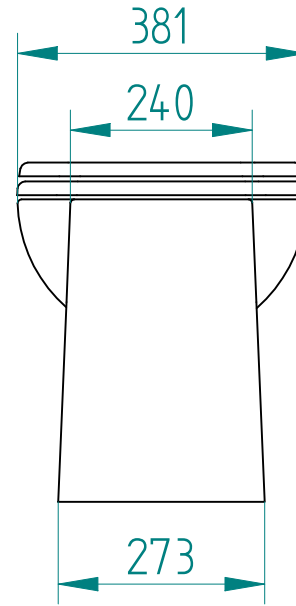
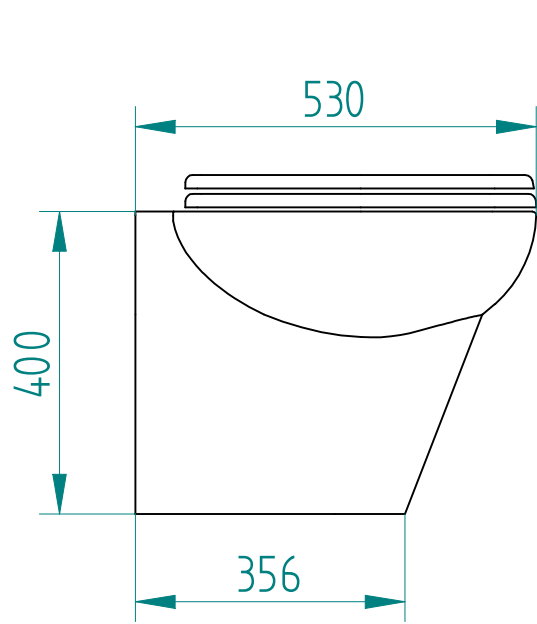
	NAME	DATE	PLANUS
DRAWN	Presti	11/28/17	
CHECKED			
ENG APPR			
MGR APPR			
<small>UNLESS OTHERWISE SPECIFIED DIMENSIONS ARE IN MILLIMETERS ANGLES ±X.X° 2 PL ±X.XX 3 PL ±X.XXX</small>			TITLE New Artic SIZE DWG NO A2 FILE NAME: Tavola New ARTIC.dft SCALE: WEIGHT: SHEET 1 OF 1

REVISION HISTORY			
REV.	DESCRIPTION	DATE	APPROVED



	NAME	DATE	PLANUS	
DRAWN	Saponara	11/10/17		
CHECKED				
ENG APP R				
MGR AP PR			TITLE	REV
UNLESS OTHERWISE SPECIFIED DIMENSIONS ARE IN MILLIMETERS ANGLES ±X.X° 2 PL ±XXX 3 PL ±XXXX			SIZE A2	DWG NO
			SCALE	WEIGHT
			SHEET 1 OF 1	

REVISION HISTORY			
REV	DESCRIPTION	DATE	APPROVED



	NAME	DATE	PLANUS		
DRAWN	Saponara	11/10/17			
CHECKED					
ENG APP R					
MGR AP PR			TITLE Tavola STILO PLUS_rev3.dft		
UNLESS OTHERWISE SPECIFIED DIMENSIONS ARE IN MILLIMETERS ANGLES ±X.X° 2 PL ±XXX 3 PL ±XXXX			SIZE A2	DWG NO	REV
SCALE:	WEIGHT:	SHEET 1 OF 1			